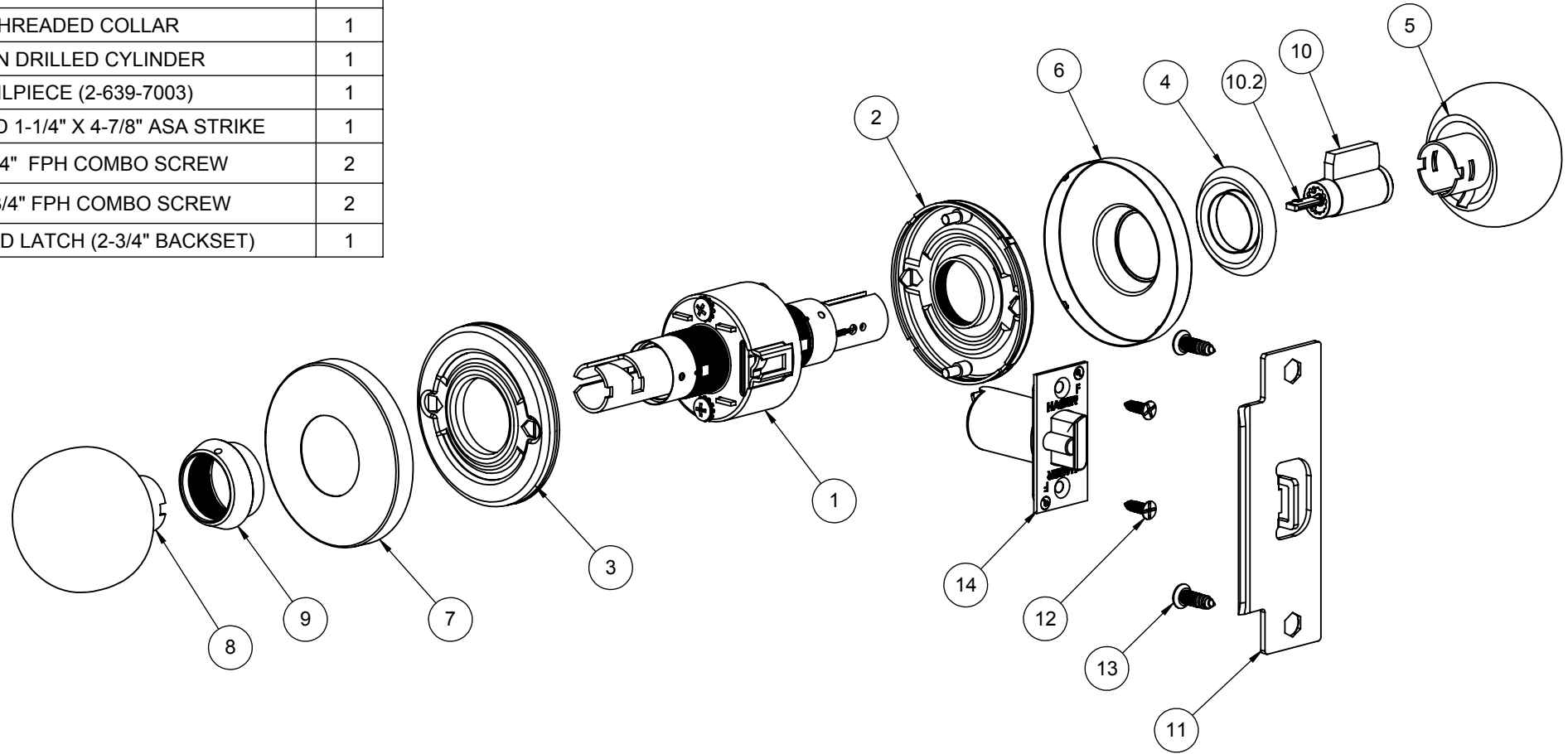



ITEM NO.	FILE NUMBER	DESCRIPTION	QTY.
1	S-LS00950	KNOBSET CHASSIS - 70 FUNCTION - IC	1
2	S-LS00956	OUTSIDE ROSE LINER (KNOB)	1
3	S-LS00955	INSIDE ROSE LINER (KNOB)	1
4	S-LS00954	APOLLO KNOB ENDCAP	1
5	S-LS00953	APOLLO KEYED KNOB	1
6	S-LS00952	OUTSIDE ROSE (KNOB)	1
7	S-LS00951	INSIDE ROSE (KNOB)	1
8	S-LS00953	APOLLO PASSAGE KNOB	1
9	S-LS00943	THREADED COLLAR	1
10	S-LS00617	6-PIN DRILLED CYLINDER	1
10.2	S-LS00215	TAILPIECE (2-639-7003)	1
11	S-LS00236	STANDARD 1-1/4" X 4-7/8" ASA STRIKE	1
12	S-LS00882	#8 X 3/4" FPH COMBO SCREW	2
13	S-LS00882	#12 X 3/4" FPH COMBO SCREW	2
14	S-LS00608	3944 DEAD LATCH (2-3/4" BACKSET)	1



NOTE: (2) KEYS PROVIDED

 <p><b>PROPRIETARY &amp; CONFIDENTIAL</b> THE INFORMATION CONTAINED IN THIS DRAWING IS THE SOLE PROPERTY OF HAGER COMPANIES. ANY REPRODUCTION IN PART OR AS A WHOLE WITHOUT THE WRITTEN PERMISSION OF HAGER COMPANIES IS PROHIBITED.</p>	<p>HAGER RESERVES THE RIGHT TO MAKE DESIGN CHANGES WITHOUT NOTICE. CALL HAGER ENGINEERING AT 1-800-325-9995 FOR THE LATEST REVISION DATE OF TEMPLATE.</p>	DRAWN	MRJ	11/18/2010	<p>3470 GRADE 1 - CLASSROOM KNOBSET</p>		
		ENG. APPR.	-	-			
		MATERIAL	Material <not specified>			Q.A.	
		FINISH	-			<p>TOLERANCES: FRACTIONAL: ±0.015" ANGULAR: MACH: ±1° BEND: ±1° TWO PLACE DECIMAL: ±0.01" THREE PLACE DECIMAL: ±0.004"</p>	
DO NOT SCALE DRAWING		SIZE		DWG. NO.	REV.		
		B		S-LS01047	02		
		SCALE: 1:4		WEIGHT: 1.41		SHEET 1 OF 1	