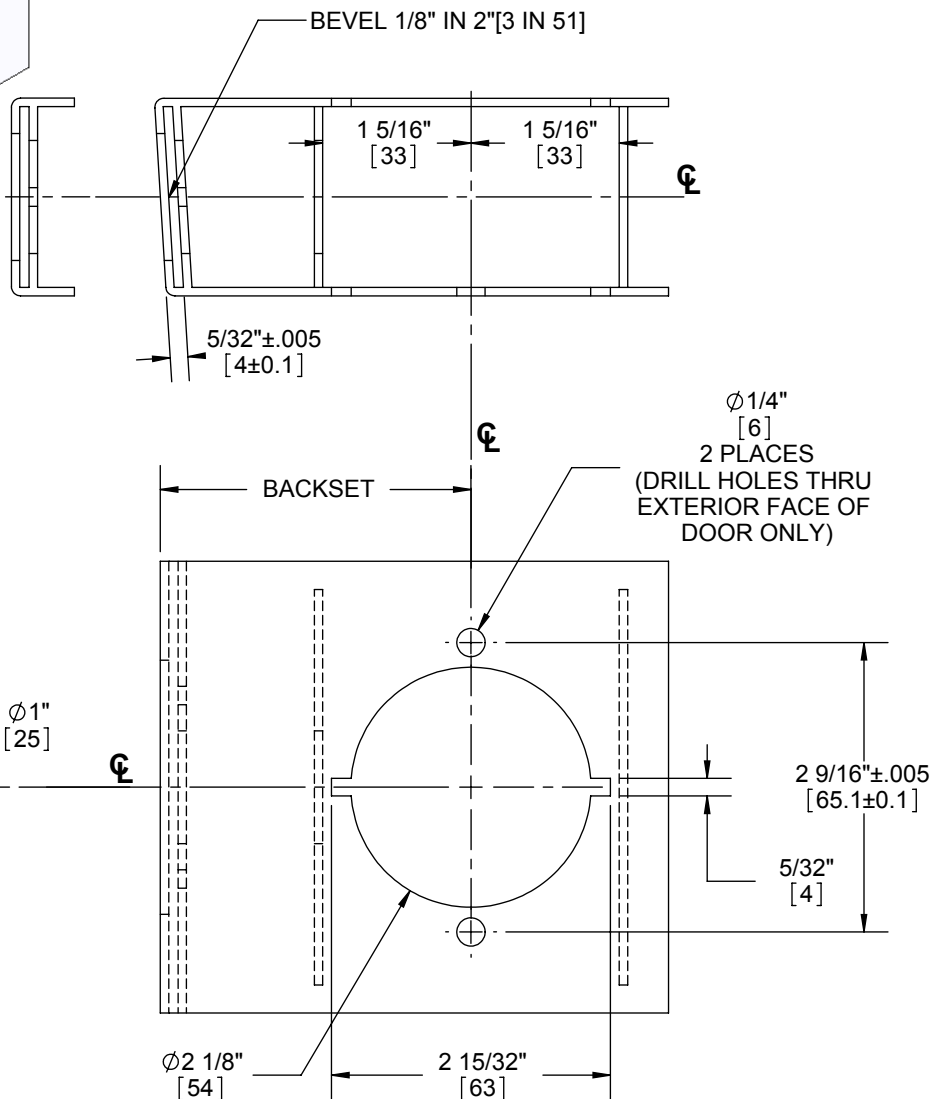
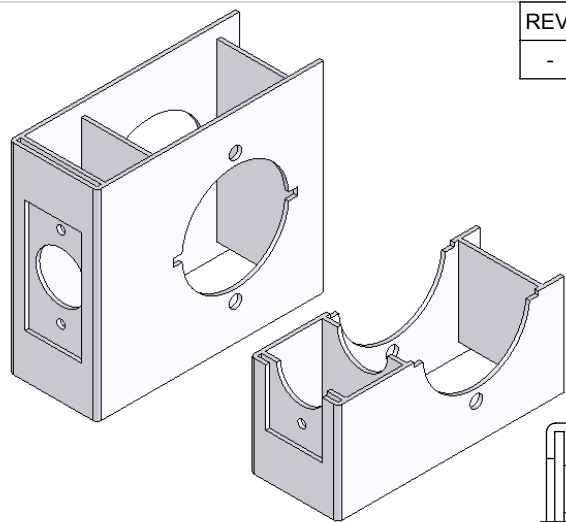


REV.	DESCRIPTION	ECO NO.	DATE
-	INITIAL CHECK IN		5/9/2008



- DOOR TYPE:** METAL, FLAT OR BEVELED
- DOOR THICKNESS:** 1 3/8"[35] - 1 3/4"[45]
- FACEPLATE:** SQUARE 1 1/8"[29] WIDTH
- BACKSETS:** 2 3/4"[70] STANDARD, 2 3/8"[60] OPTIONAL, 5"[127] OPTIONAL

DIMENSIONS IN [ ] ARE IN MILLIMETERS



HAGER RESERVES THE RIGHT TO MAKE DESIGN CHANGES WITHOUT NOTICE. CALL HAGER ENGINEERING AT 1-800-325-9995 FOR THE LATEST REVISION DATE OF TEMPLATE.

PRIMARY DIMENSIONS SHOWN IN INCHES, DIMENSIONS IN [ ] ARE MILLIMETERS.

MATERIAL	Material <not specified>
FINISH	-
DO NOT SCALE DRAWING	

DRAWN	MRJ	05/09/2008
ENG. APPR.	-	-
TOLERANCES:		
FRACTIONAL: ±0.015"		
ANGULAR: MACH: ± 1° BEND: ±1°		
TWO PLACE DECIMAL: ±0.01"		
THREE PLACE DECIMAL: ±0.004"		

3400		REV.	
METAL DOOR PREP TEMPLATE (KNOB STYLE)		-	
SIZE	DWG. NO.	REV.	
A	T-LS00320	-	
SCALE: 1:2	WEIGHT: 0.13	SHEET 1 OF 1	