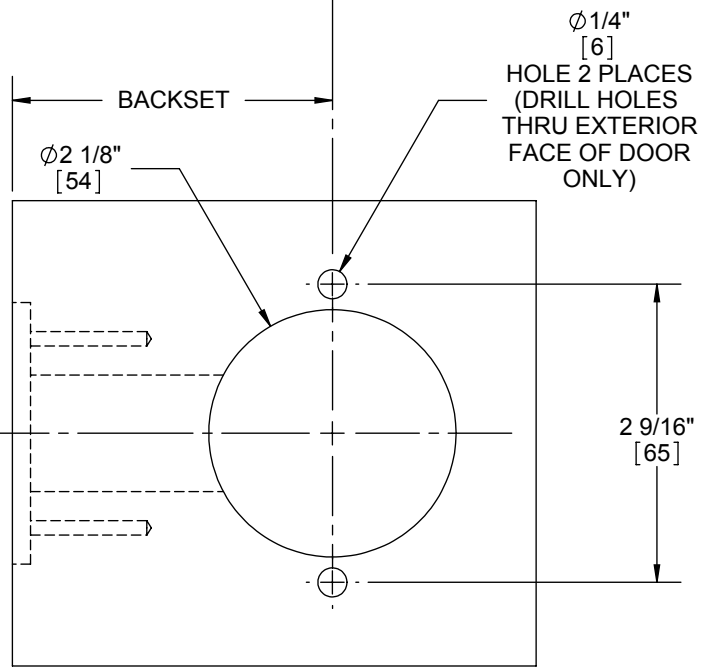
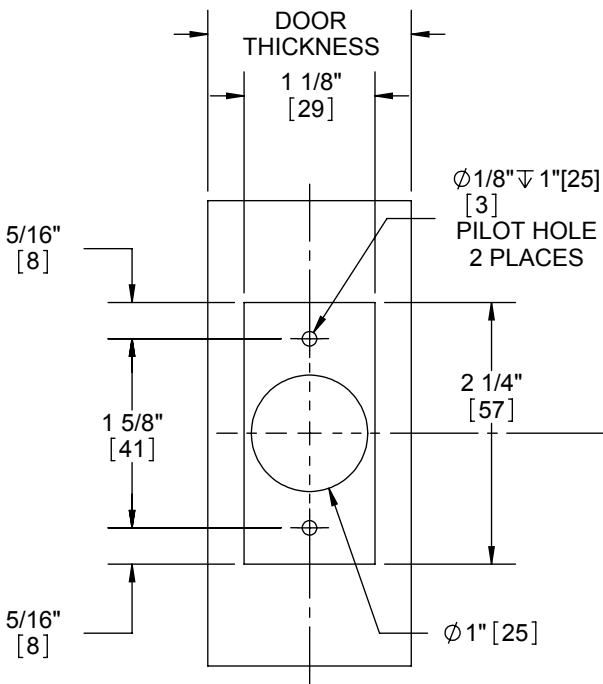
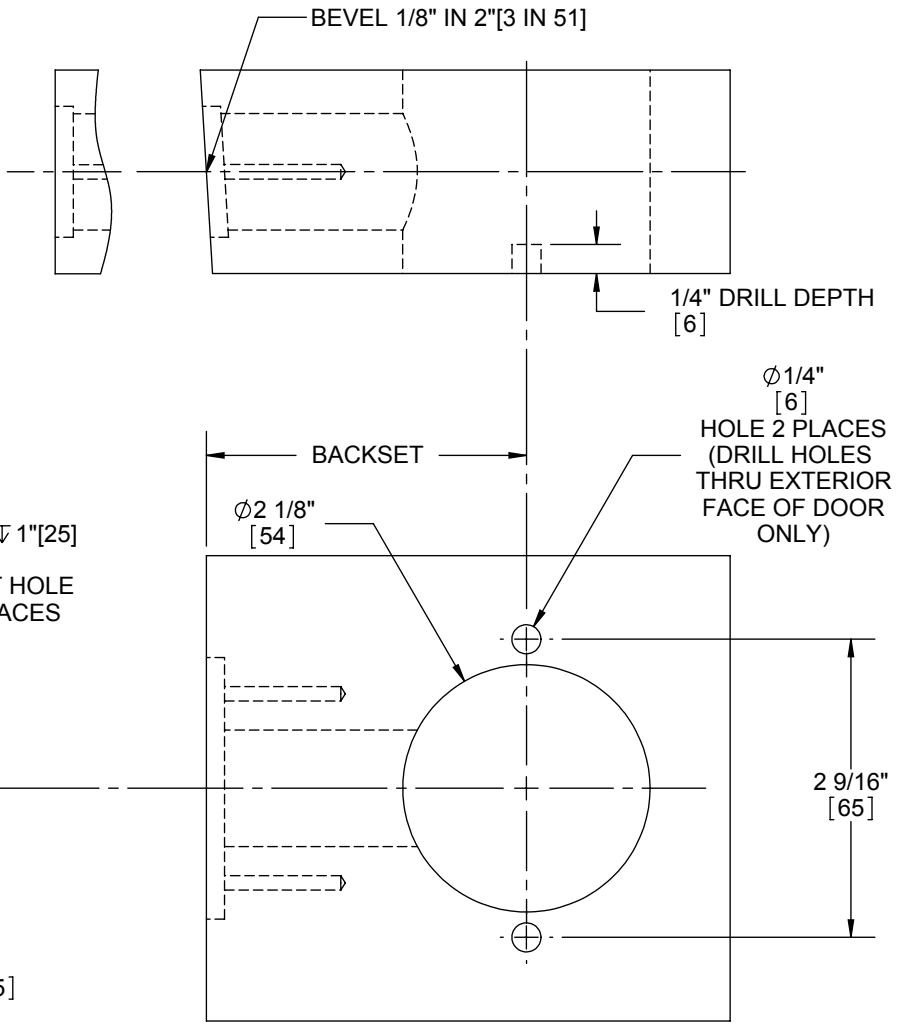
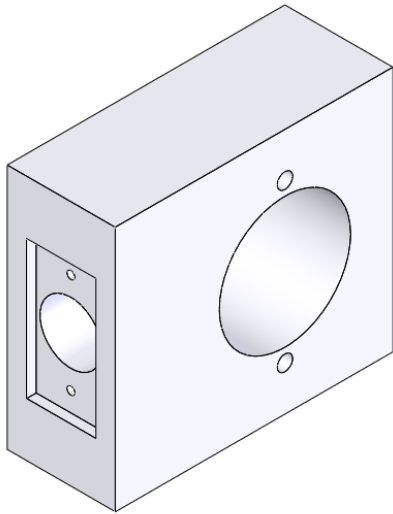


REV.	DESCRIPTION	ECO NO.	DATE
01	UPDATED ISO VIEW		5/9/2008



- DOOR TYPE:** WOOD OR COMPOSITE, FLAT OR BEVELED
- DOOR THICKNESS:** 1 3/8"[35] - 1 3/4"[45]
- FACEPLATE:** SQUARE 1 1/8"[29] WIDTH
- BACKSETS:** 2 3/4"[70] STANDARD, 2 3/8"[60] OPTIONAL, 5"[127] OPTIONAL

DIMENSIONS IN [] ARE IN MILLIMETERS



HAGER RESERVES THE RIGHT TO MAKE DESIGN CHANGES WITHOUT NOTICE. CALL HAGER ENGINEERING AT 1-800-325-9995 FOR THE LATEST REVISION DATE OF TEMPLATE.

PRIMARY DIMENSIONS SHOWN IN INCHES, DIMENSIONS IN [] ARE MILLIMETERS.

DRAWN	MRJ	05/09/2008
ENG. APPR.	-	-
MATERIAL	Q.A.	
FINISH	-	
DO NOT SCALE DRAWING		
TOLERANCES: FRACTIONAL: ±0.015" ANGULAR: MACH: ±1° BEND: ±1° TWO PLACE DECIMAL: ±0.01" THREE PLACE DECIMAL: ±0.004"		

3400		REV.
WOOD DOOR PREP TEMPLATE (KNOB STYLE)		01
SIZE	DWG. NO.	
A	T-LS00321	
SCALE: 1:2	WEIGHT: 0.42	SHEET 1 OF 1