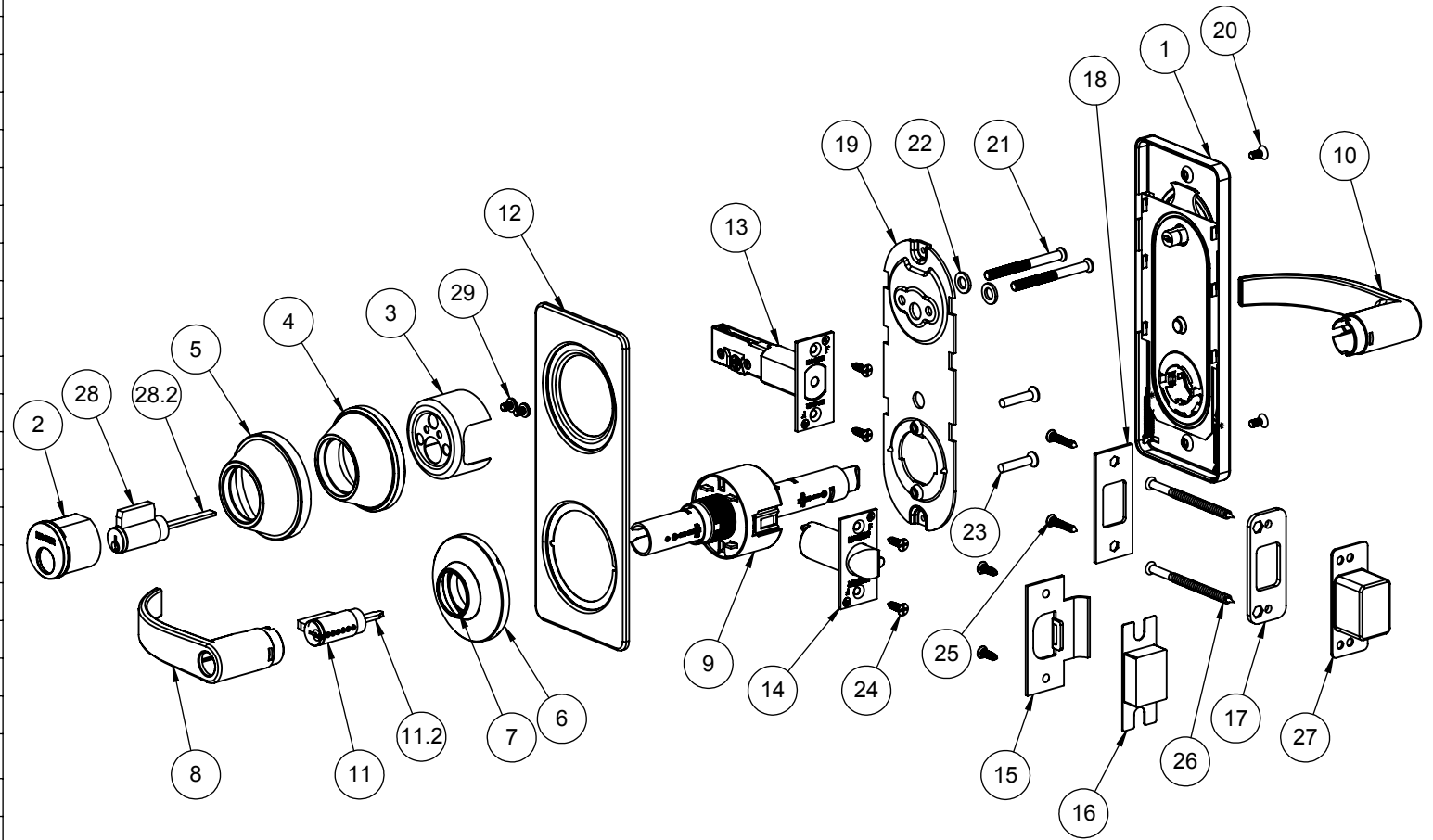



ITEM NO.	FILE NAME	DESCRIPTION	QTY.
1	S-LS00823	INSIDE ESCUTCHEON ASSEMBLY	1
2	S-LS00718	EXTERIOR DOUBLE CYLINDER HOUSING	1
3	S-LS00815	FIRE SHIELD	1
4	S-LS00726	CYLINDER ROSE LINER	1
5	S-LS00728	CYLINDER ROSE	1
6	S-LS00541	INSIDE ROSE	1
7	S-LS00542	INSIDE ROSE LINER	1
8	S-LS00543	ARCHER KEYED LEVER	1
9	S-LS00822	LOCKSET CHASSIS - 53 FUNCTION	1
10	S-LS00543	ARCHER PRIVACY LEVER	1
11	S-LS00617	6-PIN DRILLED CYLINDER	1
11.2	S-LS00214	TAILPIECE (2-639-7002)	1
12	S-LS00532	OUTSIDE ESCUTCHEON (OPTIONAL)	1
13	S-LS00007	3940 DEADBOLT LATCH (2-3/4" BACKSET)	1
14	S-LS00306	3948 DEAD LATCH (2-3/4" BACKSET)	1
15	S-LS00143	T-STRIKE	1
16	S-LS00534	T-STRIKE DUST BOX	1
17	S-LS00724	DEADBOLT WOOD REINFORCER	1
18	S-LS00723	DEADBOLT STRIKE	1
19	S-LS00535	INSTALLATION PLATE	1
20	Oval Head_AI	#8-32x3/8" OPHMS	2
21	S-LS00883	CUSTOM #12-24 X 2-5/16" FPHMS	2
22	Flat Washer Type B Narrow_AI	1/4" NS FLAT WASHER	2
23	Oval Head_AM	CUSTOM M5 X 25MM OPHMS	2
24	S-LS00882	#8 X 3/4" FPH COMBO SCREW	6
25	S-LS00882	#8 X 1-1/4" FPH COMBO SCREW	2
26	S-LS00885	CUSTOM #10 X 3" FPHWS	2
27	S-LS00725	DEADBOLT DUST BOX	1
28	S-LS00617	6-PIN DRILLED CYLINDER	1
28.2	S-LS00219	TAILPIECE (2-639-7007)	1
29	pan cross head_ai	#8-32 X 1/4" PHMS	2



NOTE 1: (2) KEYS PROVIDED
NOTE 2: ARCHER LEVER SHOWN, OTHERS OPTIONAL

 PROPRIETARY & CONFIDENTIAL THE INFORMATION CONTAINED IN THIS DRAWING IS THE SOLE PROPERTY OF HAGER COMPANIES. ANY REPRODUCTION IN PART OR AS A WHOLE WITHOUT THE WRITTEN PERMISSION OF HAGER COMPANIES IS PROHIBITED.	HAGER RESERVES THE RIGHT TO MAKE DESIGN CHANGES WITHOUT NOTICE. CALL HAGER ENGINEERING AT 1-800-325-9995 FOR THE LATEST REVISION DATE OF TEMPLATE.	MATERIAL	Material <not specified>	DRAWN	MRJ	1/6/2009	3753 GRADE 2 - ENTRY LEVERSET (INTERCONNECTED)		
		FINISH	-	ENG. APPR.	-	-			Q.A.
		DO NOT SCALE DRAWING			TOLERANCES: FRACTIONAL: ±0.015" ANGULAR: MACH: ± 1° BEND: ±1° TWO PLACE DECIMAL: ±0.01" THREE PLACE DECIMAL: ±0.004"			SIZE	DWG. NO.
								B	S-LS00873
						SCALE: 1:12	WEIGHT: 4.15	SHEET 1 OF 1	