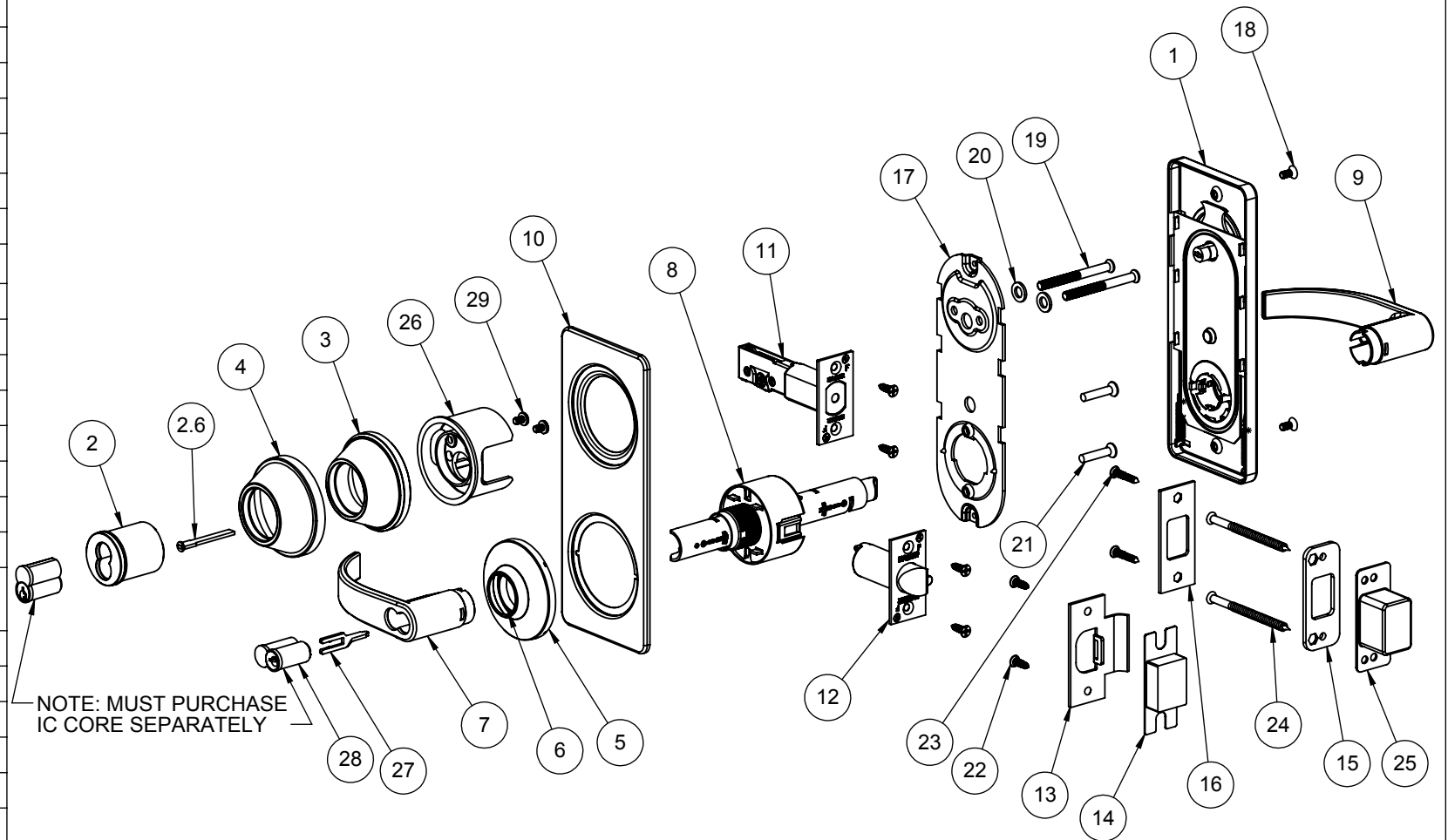


ITEM NO.	FILE NAME	DESCRIPTION	QTY.
1	S-LS00823	INSIDE ESCUTCHEON ASSEMBLY	1
2	S-LS00718	EXTERIOR THUMBTURN CYLINDER HOUSING - IC	1
2.6	S-LS00363	IC CORE TAILPIECE (2-639-7095)	1
3	S-LS00726	CYLINDER ROSE LINER	1
4	S-LS00728	CYLINDER ROSE	1
5	S-LS00541	INSIDE ROSE	1
6	S-LS00542	INSIDE ROSE LINER	1
7	S-LS00543	ARCHER IC LEVER	1
8	S-LS00822	LOCKSET CHASSIS - 53 FUNCTION IC CORE	1
9	S-LS00543	ARCHER PRIVACY LEVER	1
10	S-LS00532	OUTSIDE ESCUTCHEON (OPTIONAL)	1
11	S-LS00007	3940 DEADBOLT LATCH (2-3/4" BACKSET)	1
12	S-LS00306	3948 DEAD LATCH (2-3/4" BACKSET)	1
13	S-LS00143	T-STRIKE	1
14	S-LS00534	T-STRIKE DUST BOX	1
15	S-LS00724	DEADBOLT WOOD REINFORCER	1
16	S-LS00723	DEADBOLT STRIKE	1
17	S-LS00535	INSTALLATION PLATE	1
18	Oval Head_AI	#8-32x3/8" OPHMS	2
19	S-LS00883	CUSTOM #12-24 X 2-5/16" FPHMS	2
20	Flat Washer Type B Narrow_AI	1/4" NS FLAT WASHER	2
21	Oval Head_AM	CUSTOM M5 X 25MM OPHMS	2
22	S-LS00882	#8 X 3/4" FPH COMBO SCREW	6
23	S-LS00882	#8 X 1-1/4" FPH COMBO SCREW	2
24	S-LS00885	CUSTOM #10 X 3" FPHWS	2
25	S-LS00725	DEADBOLT DUST BOX	1
26	S-LS00379	IC CORE CYLINDER FIRE SHIELD	1
27	S-LS00621	IC TAILPIECE (2-639-7090)	1
28	S-LS00550	INTERCHANGEABLE CORE	2
29	Pan Cross Head_AI	#8-32 X 1/4" PHMS	2



NOTE: MUST PURCHASE IC CORE SEPARATELY

NOTE: ARCHER LEVER SHOWN, OTHERS OPTIONAL

<p><b>HAGER</b> COMPANIES ST. LOUIS, MISSOURI</p>	<p><b>PROPRIETARY &amp; CONFIDENTIAL</b></p> <p>THE INFORMATION CONTAINED IN THIS DRAWING IS THE SOLE PROPERTY OF HAGER COMPANIES. ANY REPRODUCTION IN PART OR AS A WHOLE WITHOUT THE WRITTEN PERMISSION OF HAGER COMPANIES IS PROHIBITED.</p>	<p>HAGER RESERVES THE RIGHT TO MAKE DESIGN CHANGES WITHOUT NOTICE. CALL HAGER ENGINEERING AT 1-800-325-9995 FOR THE LATEST REVISION DATE OF TEMPLATE.</p>	DRAWN	MRJ	1/6/2009	<p>3753 GRADE 2 - ENTRY IC LEVERSET (INTERCONNECTED)</p>		
			ENG. APPR.	-	-			
			MATERIAL	Material <not specified>			Q.A.	
			FINISH	-			<p>TOLERANCES: FRACTIONAL: ±0.015" ANGULAR: MACH: ±1° BEND: ±1° TWO PLACE DECIMAL: ±0.01" THREE PLACE DECIMAL: ±0.004"</p>	
DO NOT SCALE DRAWING			SIZE	DWG. NO.	REV.	<p>B S-LS00872 01</p>		
			SCALE: 1:12	WEIGHT: 4.63	SHEET 1 OF 1			