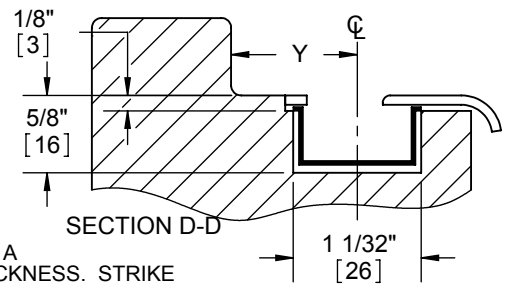
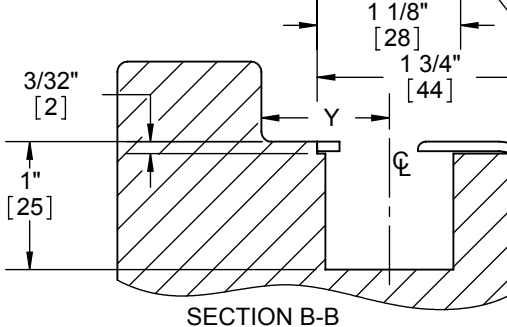
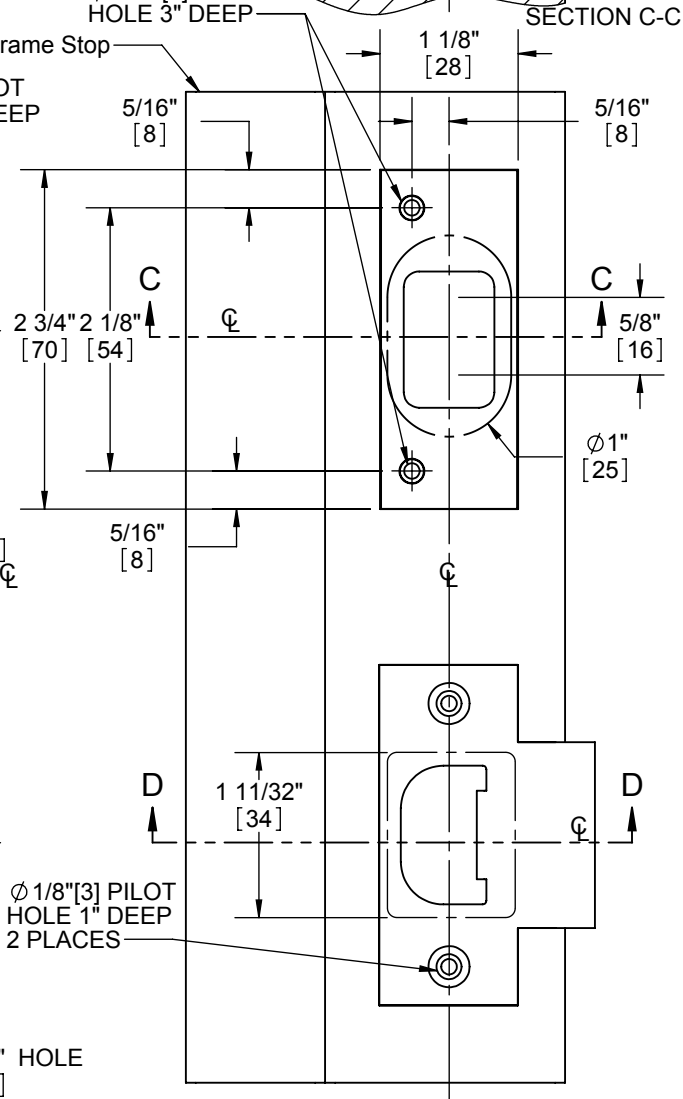
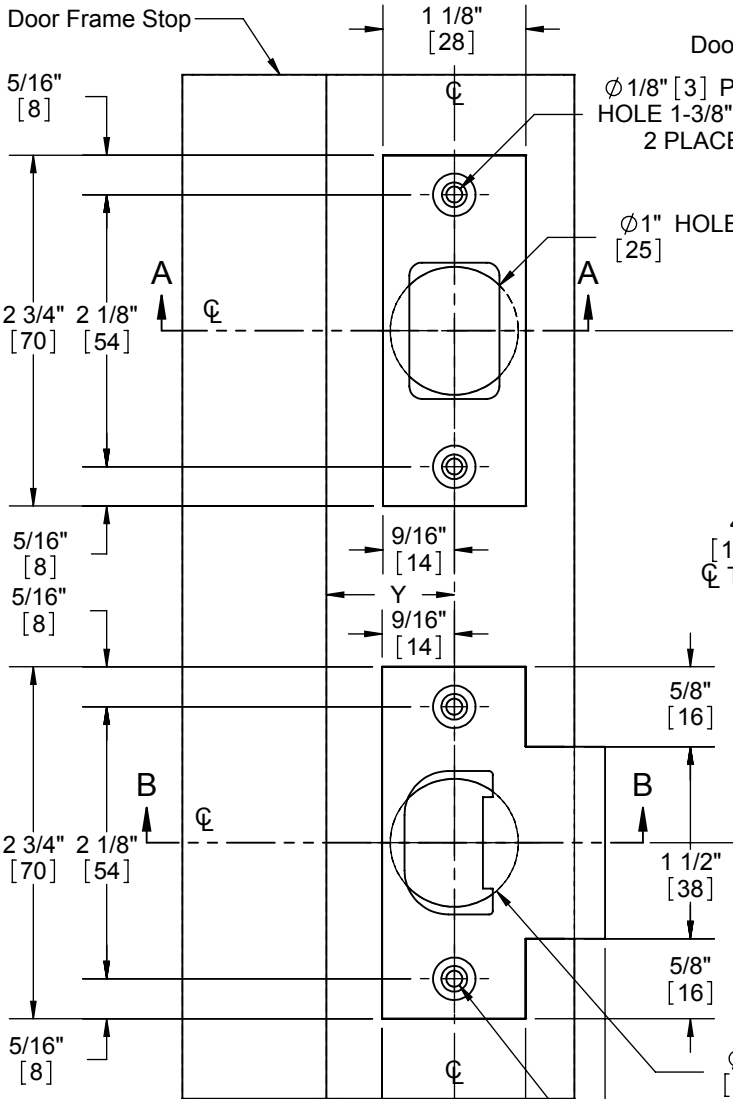
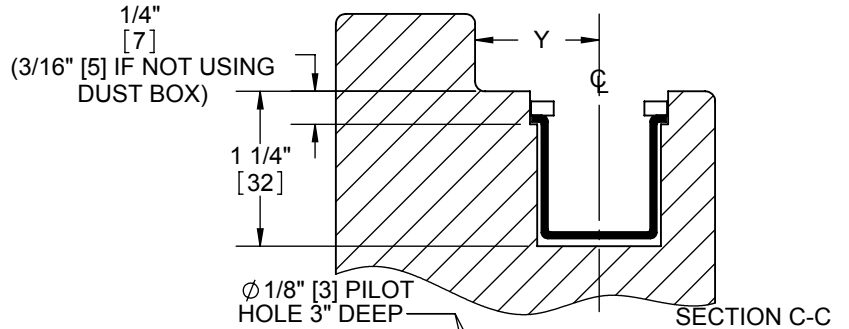
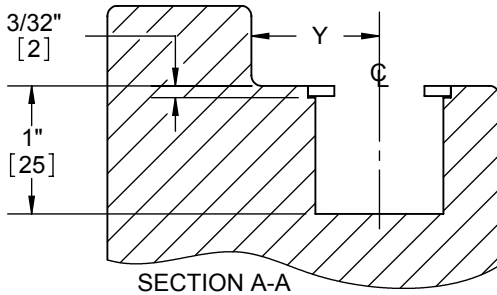


### STANDARD INSTALLATION

### REINFORCER/DUST BOX INSTALLATION



**NOTE:** DIMENSION "Y" IS A FUNCTION OF DOOR THICKNESS. STRIKE LOCATION MUST BE CHANGED RELATIVE TO THICKNESS OF DOOR SILENCER OR WEATHERSTRIPPING.



HAGER RESERVES THE RIGHT TO MAKE DESIGN CHANGES WITHOUT NOTICE. CALL HAGER ENGINEERING AT 1-800-325-9995 FOR THE LATEST REVISION DATE OF TEMPLATE.

PRIMARY DIMENSIONS SHOWN IN INCHES, DIMENSIONS IN [ ] ARE MILLIMETERS.

MATERIAL	Material <not specified>
FINISH	-
DO NOT SCALE DRAWING	

DRAWN	MRJ	12/03/2007
ENG. APPR.	-	-
TOLERANCES:		
FRACTIONAL: ±0.015"		
ANGULAR: MACH: ±1° BEND: ±1°		
TWO PLACE DECIMAL: ±0.01"		
THREE PLACE DECIMAL: ±0.004"		

3700		WOOD JAMB PREP TEMP WITH STANDARD T-STRIKE	
SIZE	DWG. NO.	REV.	
A	T-LS00159	04	
SCALE: 1:2	WEIGHT: 2.03	SHEET 1 OF 1	