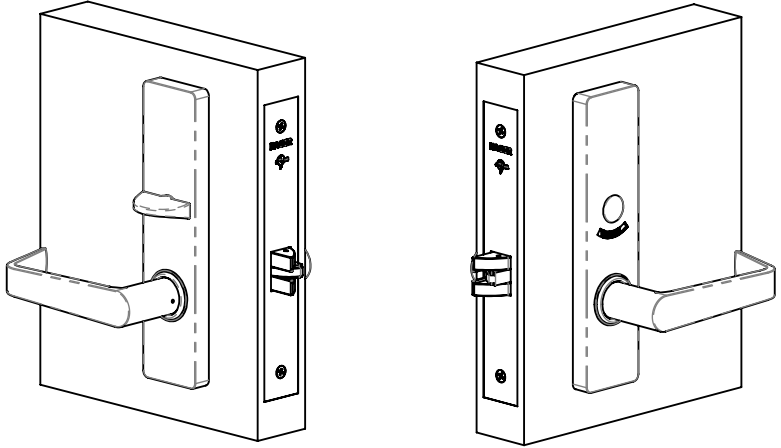
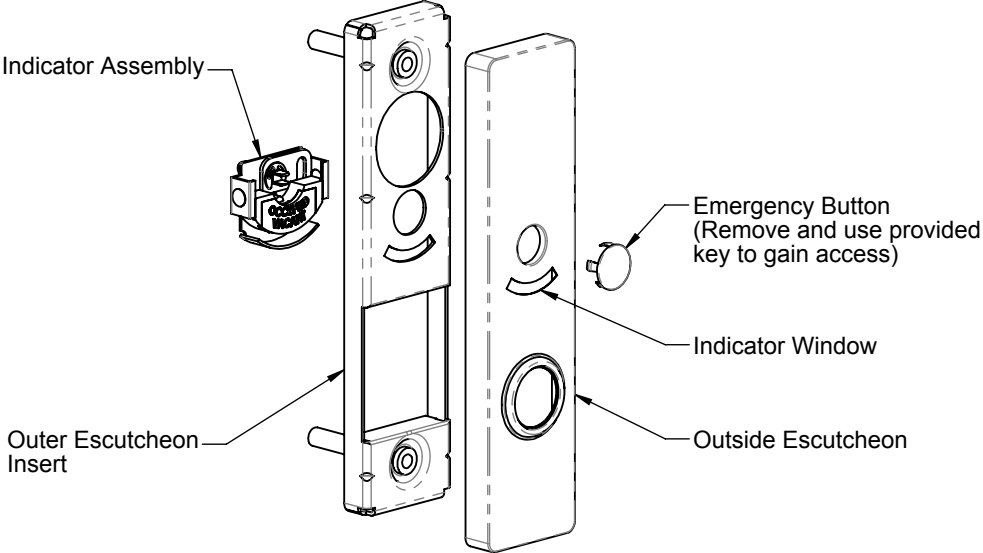


**3896 SUPPLEMENTAL INSTRUCTIONS
PRIVACY WITH INDICATOR FUNCTION
FOR ESCUTCHEON MORTISE LOCK**

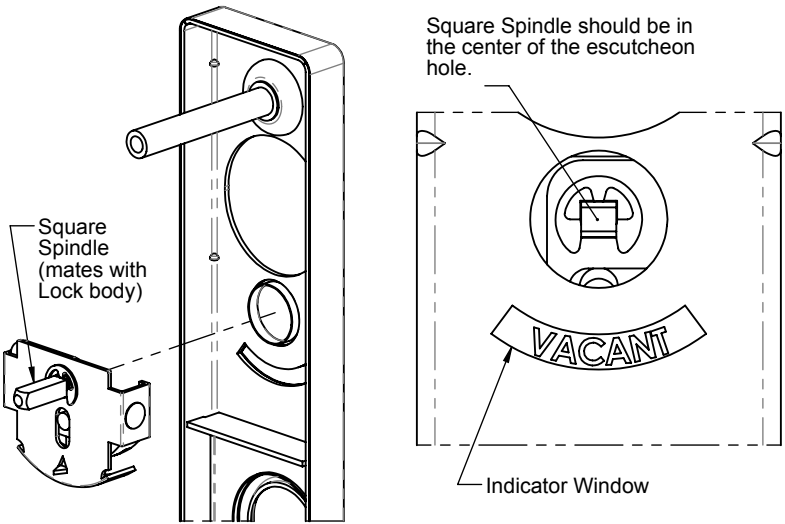
STEP 1

The parts shown are provided. Verify you have all of these components.



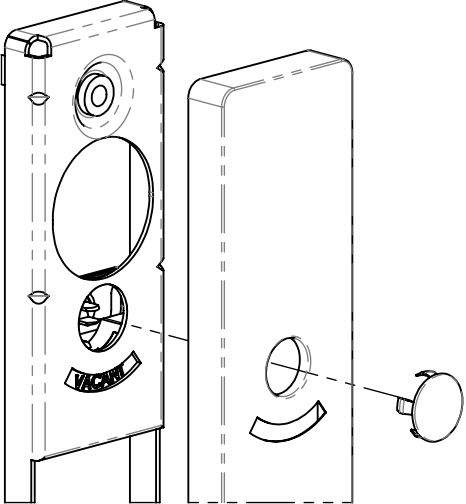
STEP 2

- a. Install indicator assembly by pressing it into the outer escutcheon insert.
- b. Align indicator assembly so you can see the door status through the indicator window. Adjust indicator assembly up or down as needed.



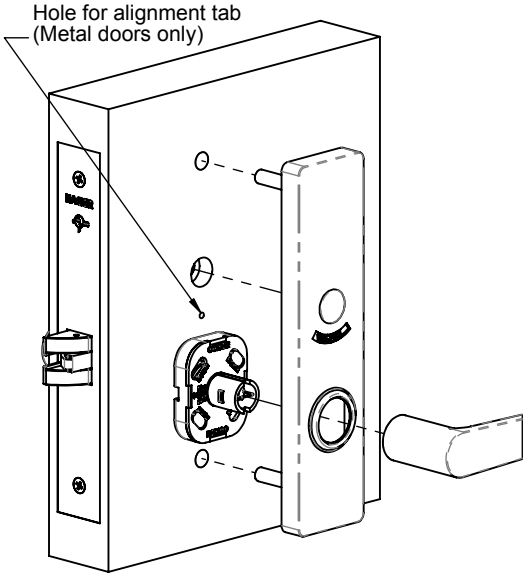
STEP 3

- a. Press on outer escutcheon over the outer escutcheon insert.
- b. Press emergency button into hole on outer escutcheon.



STEP 4

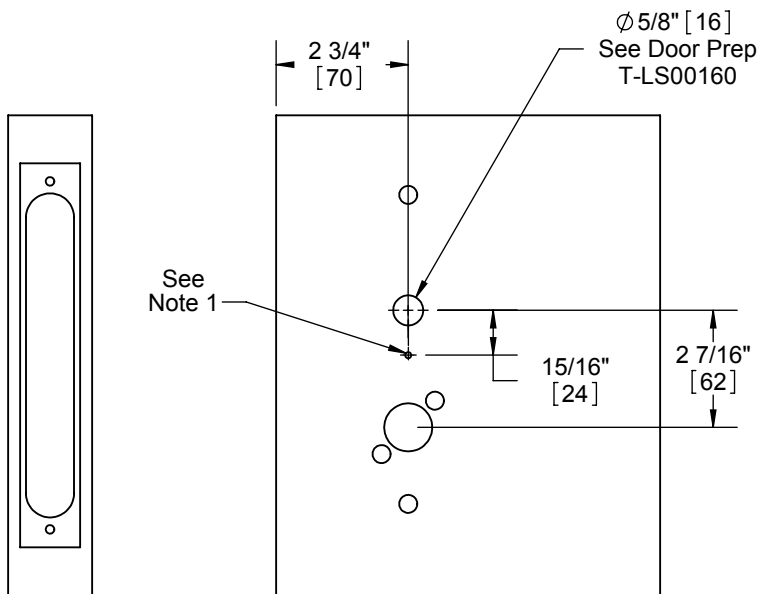
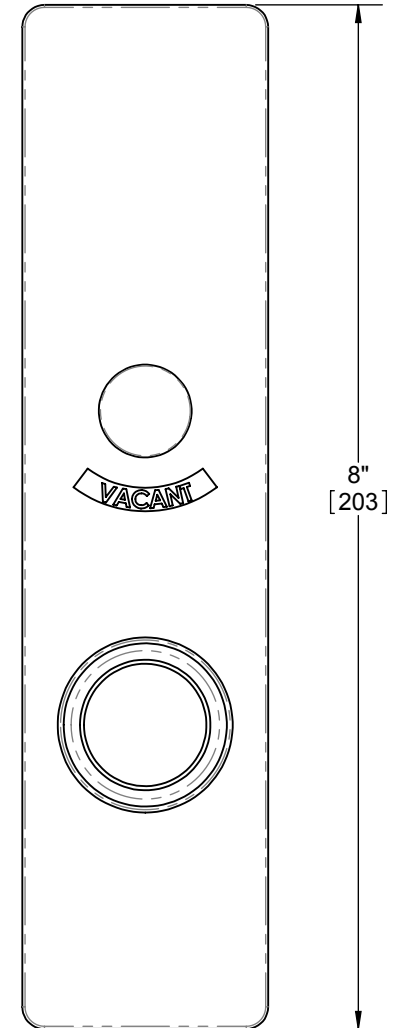
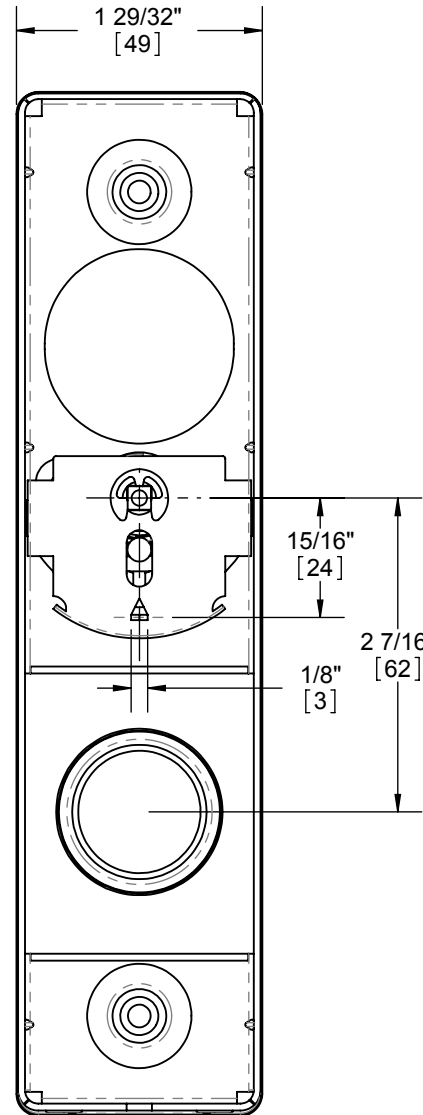
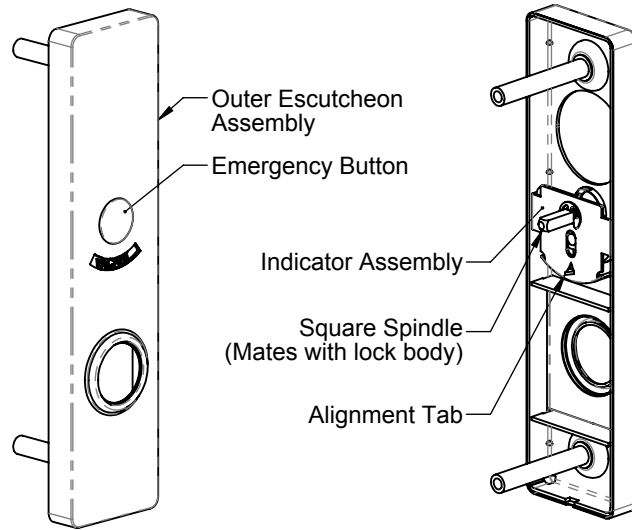
Refer back to the standard installation instructions to install the outer escutcheon assembly. If you are using a metal door, drill a hole for the alignment tab (see dimensions on the next page).



3896 SUPPLEMENTAL INSTRUCTIONS

PRIVACY WITH INDICATOR FUNCTION

FOR ESCUTCHEON MORTISE LOCK



See Door Prep T-LS00160 for all hole and mortise details

NOTES:

1. Wood door: Do not prepare a hole. (Tab will be pressed into wood during installation).
Metal door: Drill an 1/8" hole x 1/4" deep.