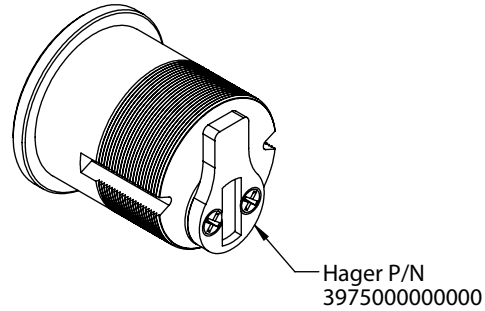
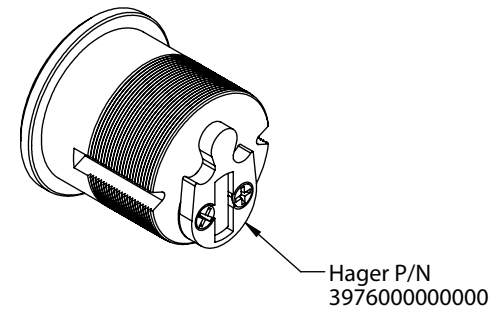


CONVENTIONAL CORE MORTISE CYLINDER

OUTSIDE CYLINDER
(RETRACTS LATCHBOLT ONLY,
CANNOT UNLOCK THE MECHANISM)

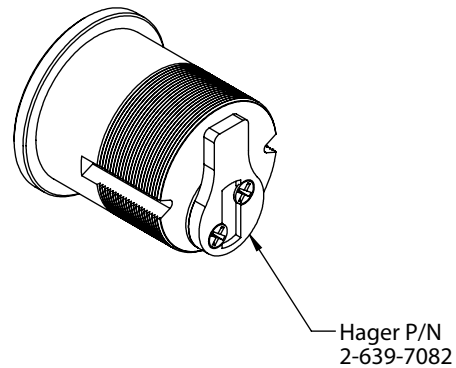


INSIDE CYLINDER
(RETRACTS LATCHBOLT AND
LOCKS AND UNLOCKS MECHANISM)



SFIC CORE MORTISE CYLINDER

OUTSIDE CYLINDER
(RETRACTS LATCHBOLT ONLY,
CANNOT UNLOCK THE MECHANISM)



INSIDE CYLINDER
(RETRACTS LATCHBOLT AND
LOCKS AND UNLOCKS MECHANISM)

