

THIS SIDE UP FOR LHR DOOR

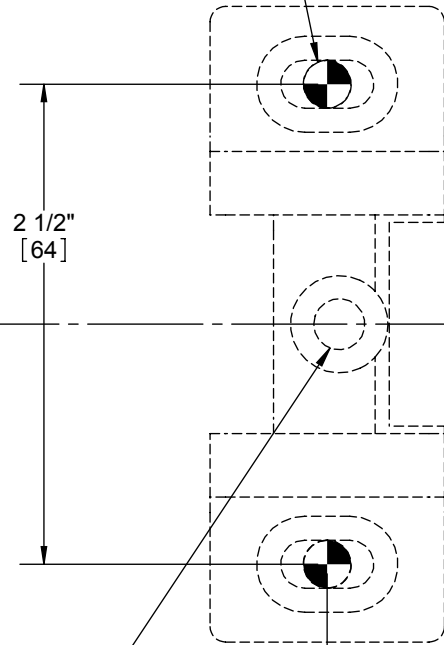
4700 RIM PANIC RATED EXIT DEVICE SEVERE WINDSTORM TEMPLATE (FOR PANIC RATED DEVICES ONLY)

(REV: 01)
DWG NO: T-ED00326

FOLD HERE
CAUTION
DO NOT USE DOOR EDGE!

PLACE THIS SIDE ON FRAME STOP
PLACE THIS SIDE ON DOOR

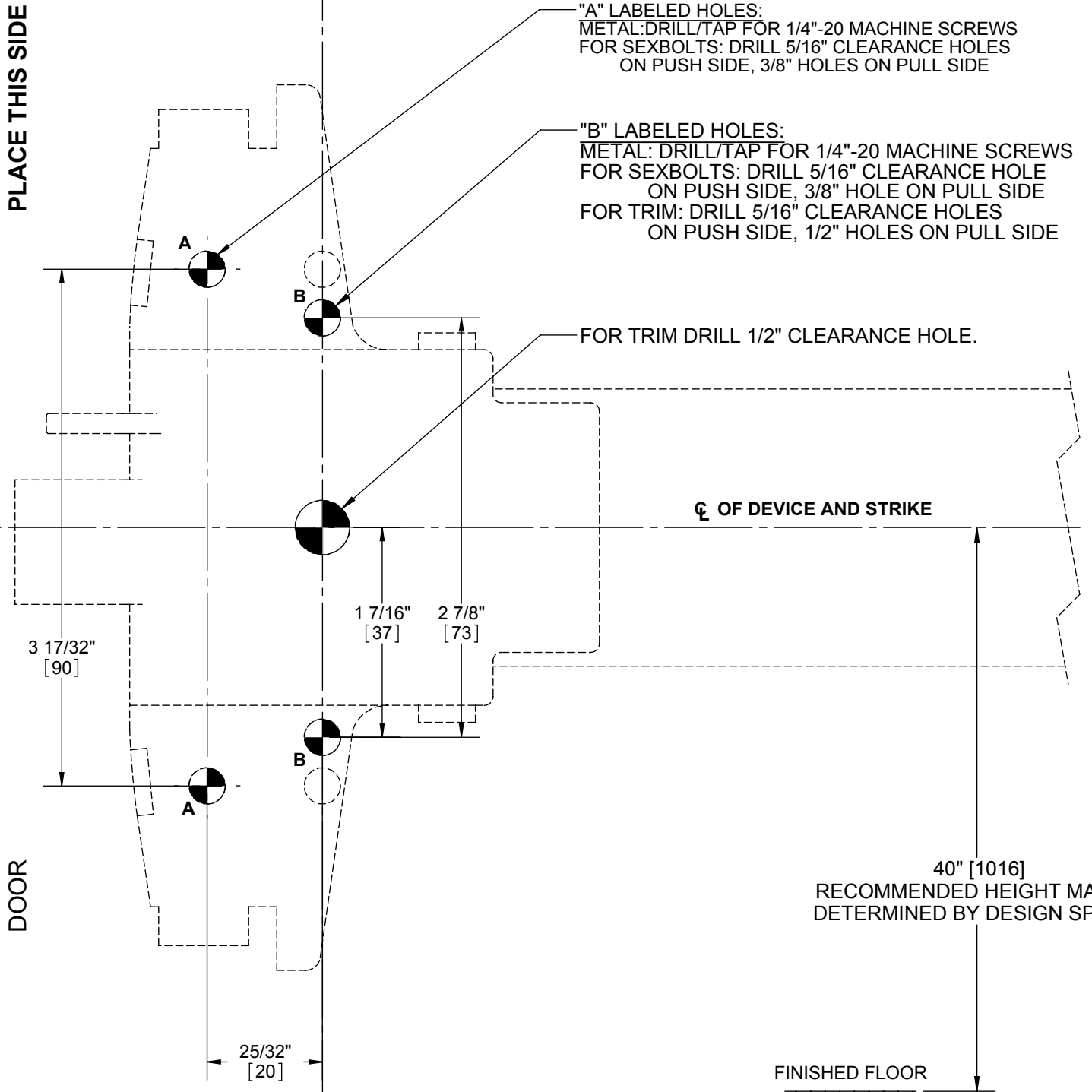
(2x) METAL: DRILL/TAP FOR 1/4"-20 MACHINE SCREWS.
WOOD: PRE-DRILL 1/8" HOLES.



DRILL/TAP FOR 1/4"-20 AND INSTALL SCREW AFTER FINAL ADJUSTEMENTS.

29/32" [23]
ADJUST FOR BEST FIT

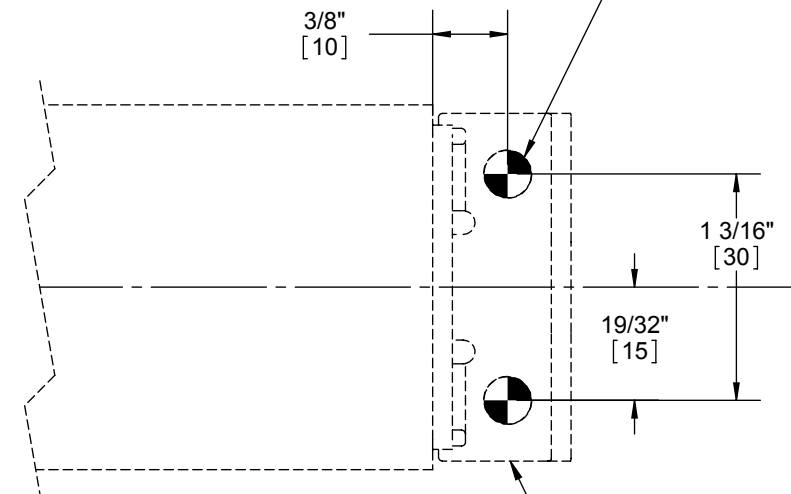
FRAME STOP
DOOR



"A" LABELED HOLES:
METAL: DRILL/TAP FOR 1/4"-20 MACHINE SCREWS
FOR SEXBOLTS: DRILL 5/16" CLEARANCE HOLES
ON PUSH SIDE, 3/8" HOLES ON PULL SIDE

"B" LABELED HOLES:
METAL: DRILL/TAP FOR 1/4"-20 MACHINE SCREWS
FOR SEXBOLTS: DRILL 5/16" CLEARANCE HOLE
ON PUSH SIDE, 3/8" HOLE ON PULL SIDE
FOR TRIM: DRILL 5/16" CLEARANCE HOLES
ON PUSH SIDE, 1/2" HOLES ON PULL SIDE

(2x) METAL: DRILL/TAP FOR 1/4"-20 MACHINE SCREWS
WOOD: PRE-DRILL 1/8" HOLES
SEXBOLTS: DRILL 5/16" CLEARANCE HOLE ON PUSH SIDE,
3/8" HOLE ON PULL SIDE.



AFTER EXIT DEVICE IS CUT AND MOUNTED, INSTALL END CAP BRACKET CENTERED ON DEVICE Q

40" [1016]
RECOMMENDED HEIGHT MAY BE DETERMINED BY DESIGN SPEC'S

FINISHED FLOOR
//////

 HOLE LOCATIONS

PRIMARY DIMENSIONS SHOWN IN INCHES,
DIMENSIONS IN [] ARE MILLIMETERS.

THIS SIDE UP FOR RHR DOOR

