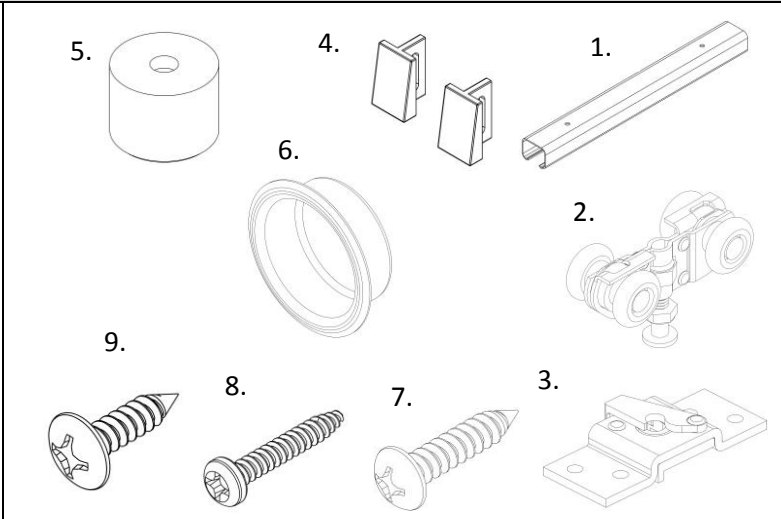


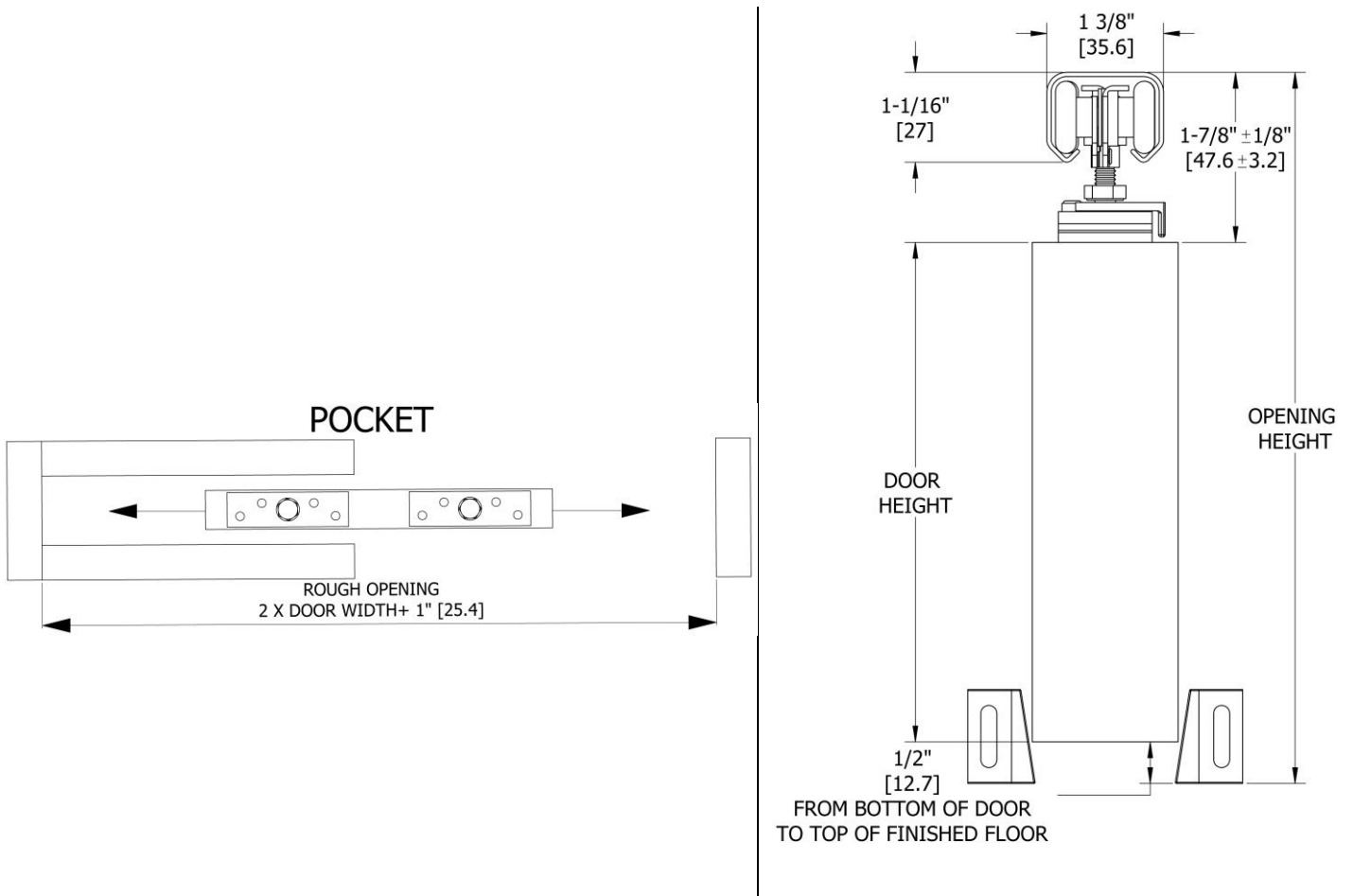
CONTENTS

1. TRACK (9601)	1
2. CARRIER (9605)	2
3. QUICK RELEASE PLATE (9610)	2
4. DOOR GUIDE SET (9883)	1
5. BUMPER KIT (9881)	1
6. PULL (Sold Separately)	1
7. #8 X 3/4" PPHS	1
8. #8 X 1" PPHS	16
9. #8 X 5/8" TPHS	2



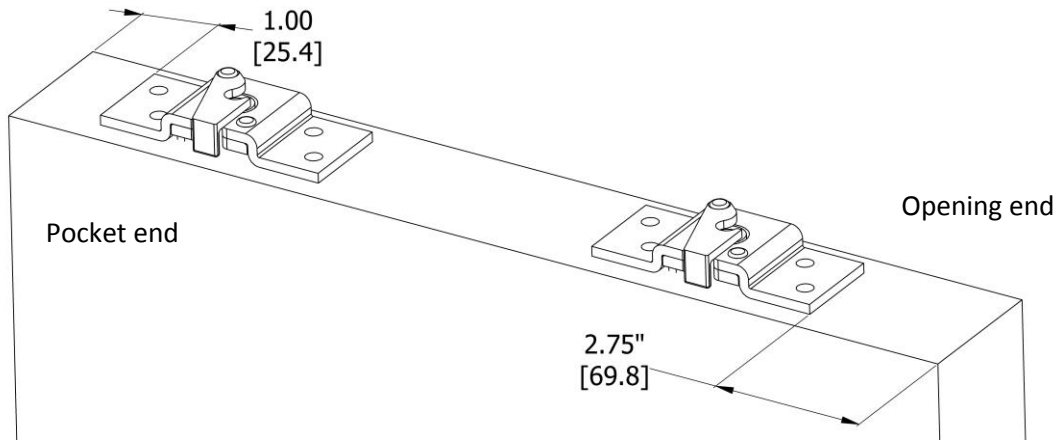
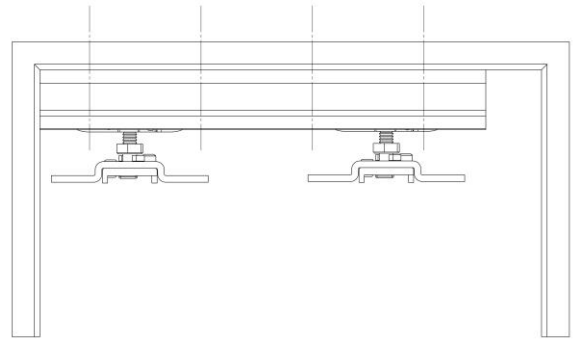
1 PREPARE OPENING

OPENING HEIGHT MAX = DOOR HEIGHT + 3-1/2"
OPENING HEIGHT MIN = DOOR HEIGHT + 2-1/4"



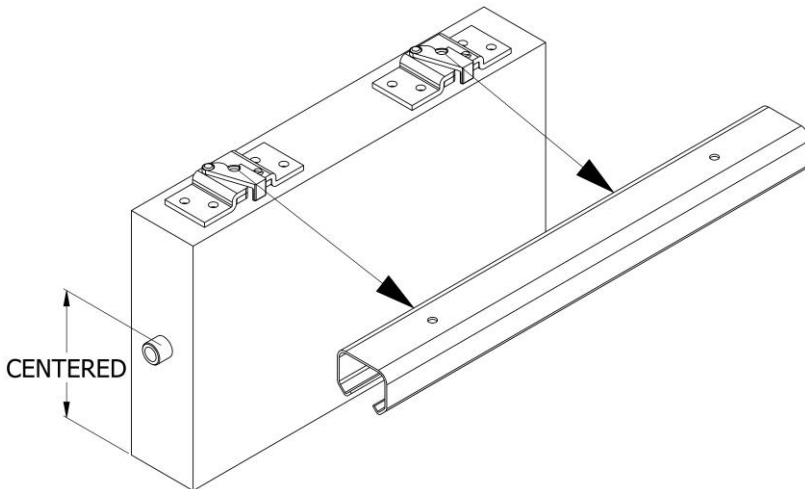
2 INSTALL TRACK AND HARDWARE

- Center track in opening, Secure with (#8 X 1") screws
- Leave a 1" gap between opening end of track and door frame
- Center quick release plates on door thickness
- Mount pocket plate edge 1" from near pocket door edge
- Mount opening plate edge 2-3/4" from near opening door edge
- Secure carriers onto door with (#8 X 1") screws
- Secure bumper centered on inside edge of door



3 HANG DOORS

- Open quick release latches on brackets and slide door onto carriers and close latches.



4 ADJUST AND FINISH

- Adjust carriers so door is square with frame
- Drill proportional sized hole to install pull (OPTIONAL)
- Install door guides outside of finished trim at base of door.

