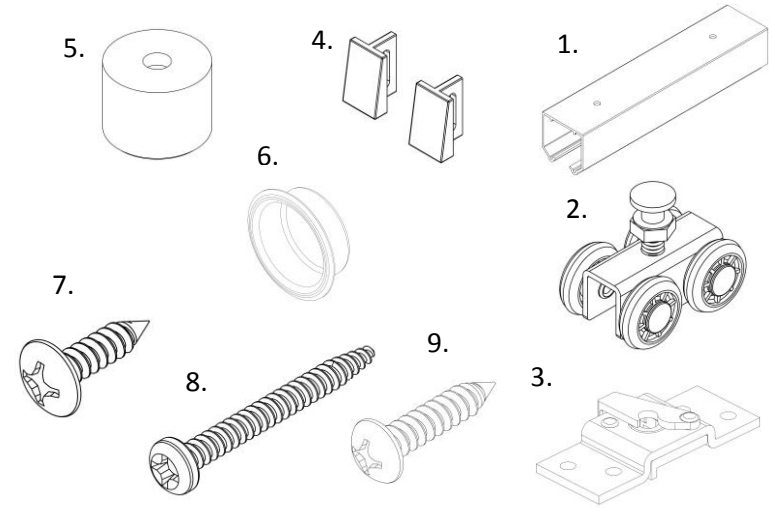
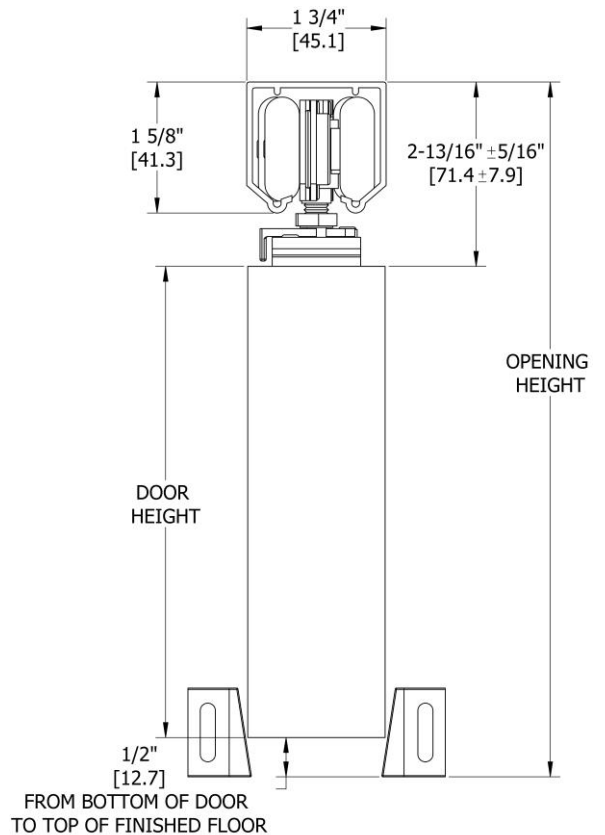
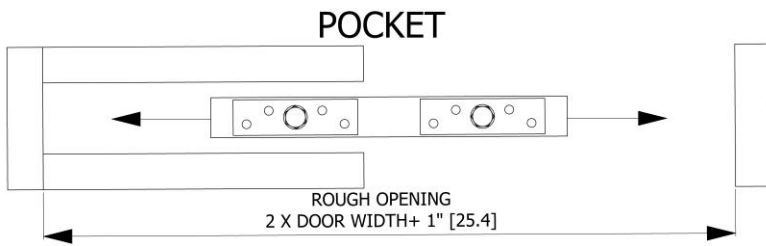


| CONTENTS | | 9878 | |
|----------|----------------------------|------|--|
| 1. | TRACK (9801) | 1 |  |
| 2. | CARRIER (9827) | 2 | |
| 3. | QUICK RELEASE PLATE (9610) | 2 | |
| 4. | DOOR GUIDE SET (9883) | 1 | |
| 5. | BUMPER KIT (9881) | 1 | |
| 6. | PULL (SOLD SEPERATLY) | 1 | |
| 7. | #8 X 3/4" PPHS | 1 | |
| 8. | #8 X 1-1/2" PPHS | 16 | |
| 9. | #8 X 5/8" TPHS | 2 | |

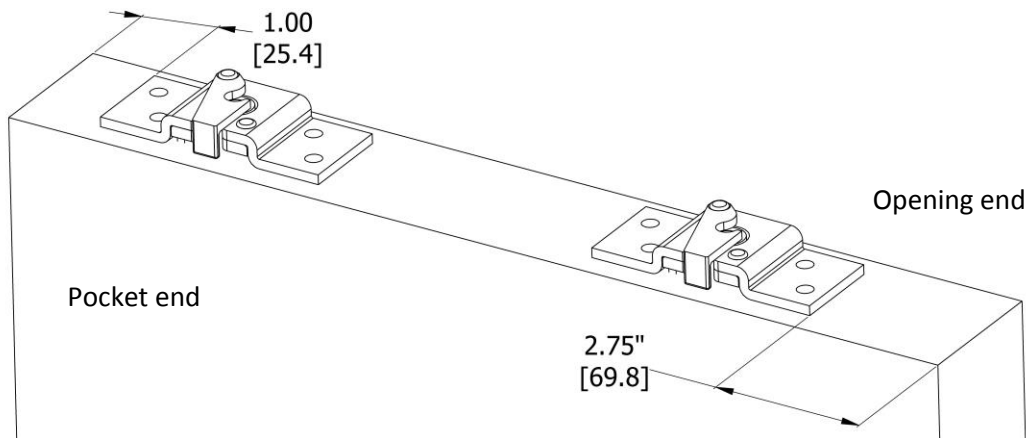
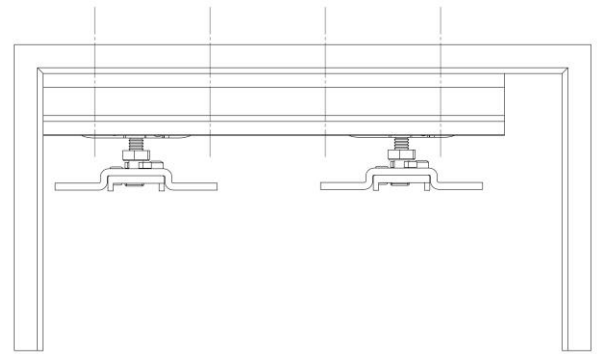
1 PREPARE OPENING

OPENING HEIGHT MAX = DOOR HEIGHT + 3-1/2"
 OPENING HEIGHT MIN = DOOR HEIGHT + 2-1/4"



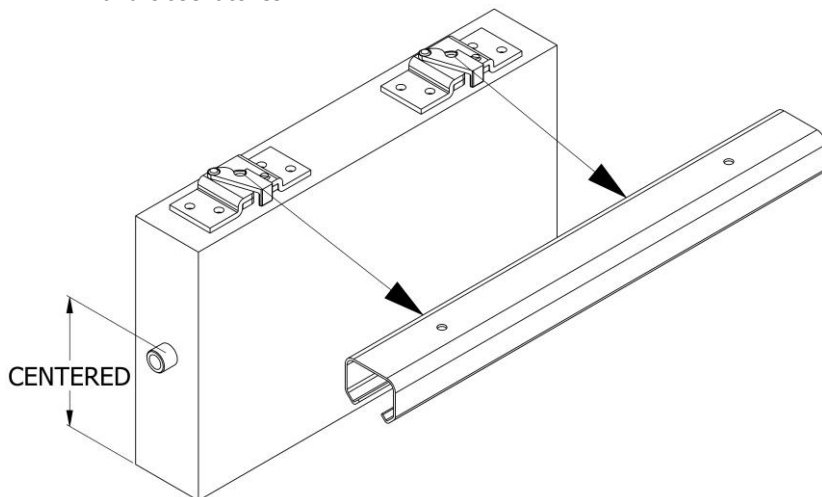
2 INSTALL TRACK AND HARDWARE

- Center track in opening, Secure with (#8 X 1-1/2") screws
- Leave a 1" gap between opening end of track and door frame to allow for removal of carriers
- Center quick release plates on door thickness
- Mount pocket plate edge 1" from pocket door edge
- Mount opening plate edge 2-3/4" from opening door edge
- Secure carriers onto door with (#8 X 1-1/2") screws
- Secure bumper centered on inside edge of door



3 HANG DOORS

- Open quick release latches on brackets and slide door onto carriers and close latches.



4 ADJUST AND FINISH

- Adjust carriers so door is square with frame
- Drill proportional sized hole to install pull (OPTIONAL)
- Install door guides outside of finished trim at base of door.

