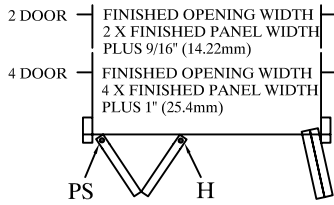


9827 HANGER ASSEMBLY and 9828 PIVOT PACKAGE FOLDING DOOR INSTALLATION INSTRUCTIONS

HEAVY DUTY HARDWARE

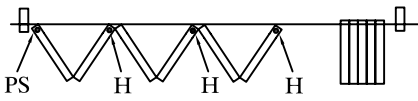
- FOR BIFOLD DOORS WEIGHING UP TO 125 LBS. (56.3 kg) EACH
- FOR MULTIPLE FOLD DOORS WEIGHING UP TO 75 LBS. (33.7 kg) EACH

BI-FOLD INSTALLATIONS



PS = PIVOT SET H = HANGER

MULTIPLE FOLD INSTALLATIONS



MULTIPLE FOLDING DOORS EDGE HUNG

Finished opening width = Door Panel total width plus 9/16" (14.22mm) for pivot pair, plus 3/8" (9.525mm) for each additional pair.

Mount hangers on every other door as shown by H

For convenience in hanging doors, heavy duty loose pin hinges should be used. (Included)

DOORWAY HEIGHT

Door Height plus:
Minimum of 3-1/2" (88.9mm)
Maximum of 4-1/2" (114.3mm)

NOTE: When using Optional Roller Guide & Bottom Guide Channel, use doorway height plus 4" (101.6 mm) when Bottom Guide Channel is mounted recessed, flush with finished floor. Use doorway height plus 4-5/8" (117.5mm) if Bottom Guide Channel is surface mounted.

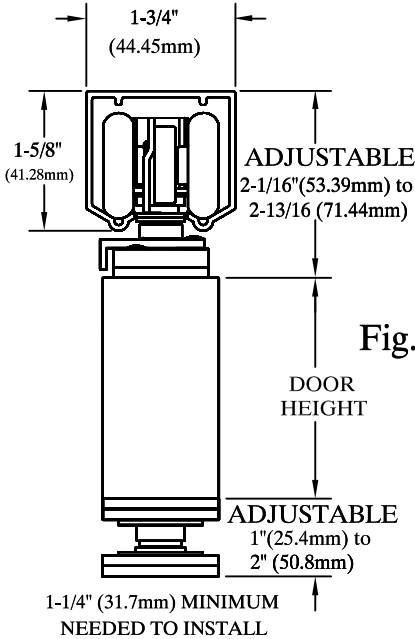


Fig. 3

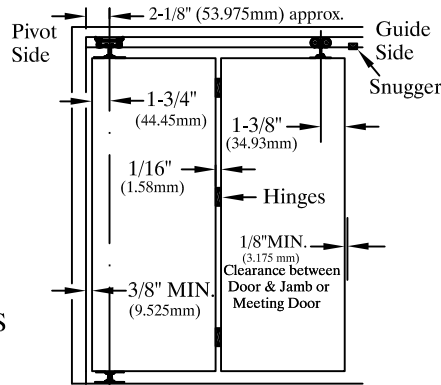


Fig. 1 2 OR 4 PANEL BI-FOLD

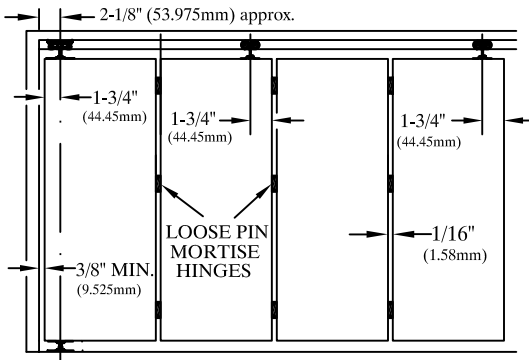


Fig. 2 MULTI-FOLD

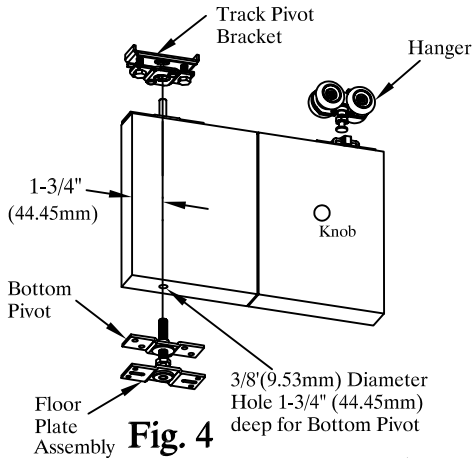


Fig. 4

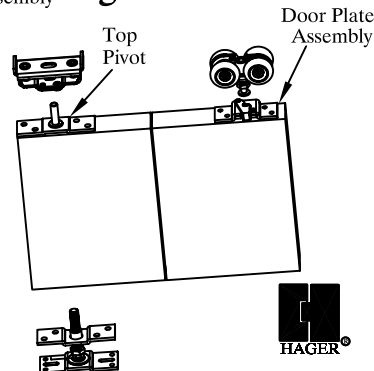


Fig. 5

INSTALLATION INSTRUCTIONS:

TRACK MOUNTING:

1. Insert Hanger Trolleys in Track.
2. **FOR 2 PANEL DOORWAY**
Mount Track flush against Jamb at Guide Side, not Pivot Side. (see Fig.1)
- FOR 4 OR MULTIPLE PANEL DOORWAY**
Center Track in opening.
3. Track Pivot Bracket should be placed so center of the Pivot Slot is approximately 2-1/8" (53.975mm) from Jamb as shown (Fig.1)

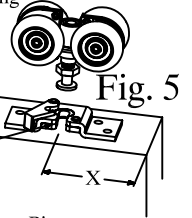
HARDWARE INSTALLATION:

4. Mount Pivots 1-3/4" (44.45mm) from door edge as shown in Fig.4. Mount Hinges and Door Plate Assy's. as shown in Figs. 1, 2 or 5, so that **CENTER OF HANGER BOLT** is in correct location:

BI-FOLD: 1-3/8" from Door edge
MULTI-FOLD: 1-3/4" from Door edge

5. Install Pivot Door by inserting Top Pivot into Track Pivot Bracket, then dropping door down so Bottom Pivot engages Floor Plate Assembly. Hang Guide Door by engaging Door Plate Assembly to center bolt of Hanger, then swing Hanger Lock into place. (Fig. 5)

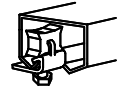
X = 1-3/8" for Bi-fold
X = 1-3/4" for Multi-fold



ADJUSTMENTS:

6. Move Track Pivot Bracket and Floor Pivot Assembly to establish desired Jamb clearance. Tighten both securely.
7. Adjust height by turning Bottom Pivot adjusting bolt.
8. With doors in closed position, adjust Hanger Adjusting Bolt using a 1/2" wrench so weight is evenly distributed across the top of Track for smooth and evenfolding action.
9. Install Snagger by backing out screw until flush. Hook Snagger over lip of Track at Track end, next to Hanger. (Fig. 6.)
Adjust so wheels contact Snagger when doors are in closed position. Tighten securely.

Fig. 6



10. Install Aligners on 4-Door Sets approximately 12" from bottom backside of doors. Adjust in or out until doors "snap" closed, then tighten screws. (Fig. 6.)

Fig. 7

