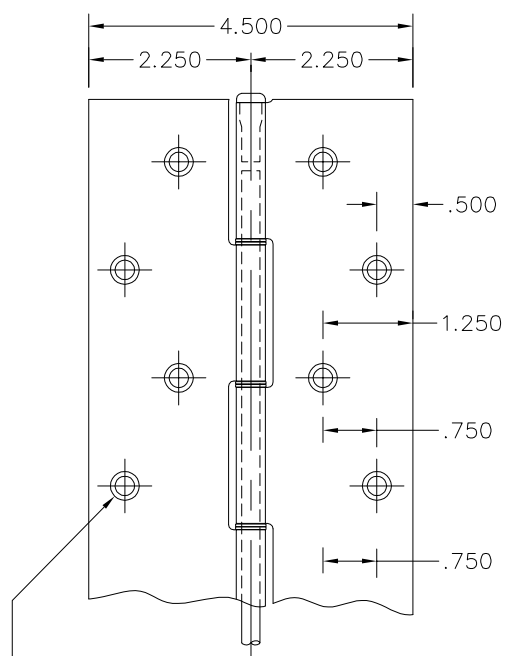
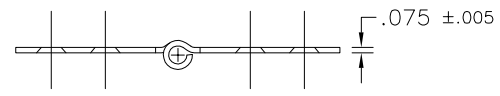


**APPLICATION**

SCALE: 3/4



PIERCE & COUNTERSINK FOR #10 FLAT HEAD SCREW, - SCREW HEAD FLUSH ± .010

**HOLE PATTERN DETAIL**

SCALE: 3/8

**NOTES:**

- MATERIAL: .075 STAINLESS STEEL #304-2B FINISH
- ALL DIMENSIONS ARE IN INCHES
- DRAWINGS ARE NOT TO SCALE
- KNUCKLE PATTERN MAY VARY

TOLERANCE (UNLESS NOTED)		DET	QTY	SH	STOCK SIZE	MAT'L	REMARKS
x	± .060						
.XX	± .030						
.XXX	± .015						
ANGLE	± 2°						
FRACTION	± 1/32						
REVISIONS							
Bill of Material							
HAGER COMPANIES HAGER - MODEL 790-900 - 95" CONTINUOUS STAINLESS STEEL HINGE							
DRAWING NO. 790-900-95.dwg							