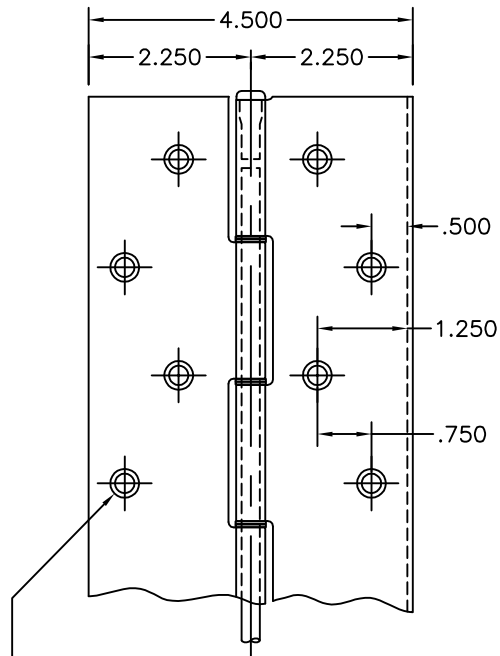
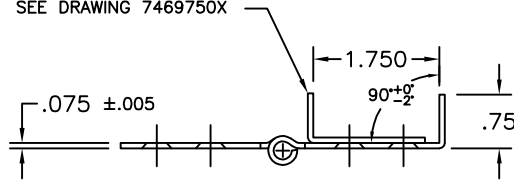


**APPLICATION**

SCALE: 3/4

FOR EDGE GAURD DETAIL,  
SEE DRAWING 7469750X



PIERCE & COUNTERSINK FOR  
#10 FLAT HEAD SCREW,  
- SCREW HEAD FLUSH ± .010

**HOLE PATTERN DETAIL**

SCALE: 3/8

**NOTES:**

- MATERIAL: .075 STAINLESS STEEL #304-2B FINISH
- ALL DIMENSIONS ARE IN INCHES
- DRAWINGS ARE NOT TO SCALE
- KNUCKLE PATTERN MAY VARY

TOLERANCE (unless noted)		DET	QTY	SH	STOCK SIZE	MAT'L	REMARKS
X	= ±.080	<b>Bill of Material</b> HAGER COMPANIES HAGER - MODEL 790-905 - 119" CONTINUOUS STAINLESS STEEL HINGE DATE 08-18-03 BY KLU INK AS NOTED PLOTTER 21\aldrich\templates\790905-119.dwg					
XX	= ±.030						
XXX	= ±.015						
ANGLE	= ± 2°						
FRACTION	= ± 1/32						
REMOVE ALL BURS BREAK SHARP EDGES .010 MAX							
DRAWING NO. 790-905 - 119"							