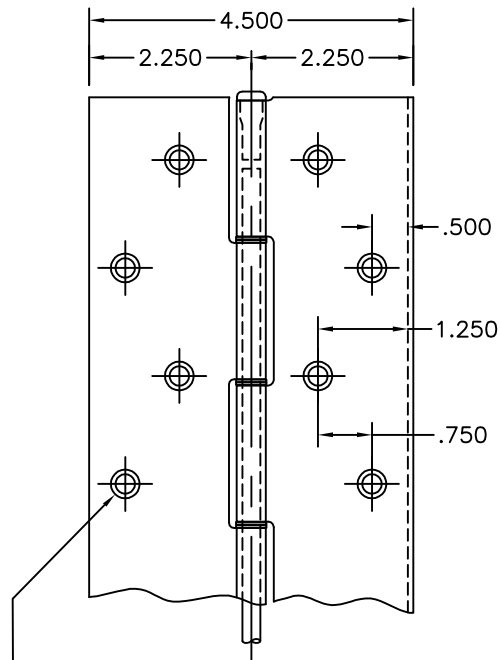
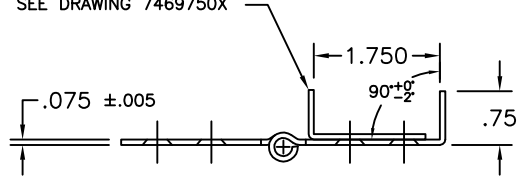


**APPLICATION**

SCALE: 3/4

FOR EDGE GAURD DETAIL,  
SEE DRAWING 7469750X



PIERCE & COUNTERSINK FOR  
#10 FLAT HEAD SCREW,  
- SCREW HEAD FLUSH ± .010

**HOLE PATTERN DETAIL**

SCALE: 3/8

**NOTES:**

- MATERIAL: .075 STAINLESS STEEL #304-2B FINISH
- ALL DIMENSIONS ARE IN INCHES
- DRAWINGS ARE NOT TO SCALE
- KNUCKLE PATTERN MY VARY

TOLERANCE		DET	QTY	SH	STOCK SIZE	MAT'L	REMARKS
X = ±.080		<b>Bill of Material</b> HAGER COMPANIES HAGER - MODEL 790-905 - 79" CONTINUOUS STAINLESS STEEL HINGE DATE 05-02-03 DRAWN BY [signature] CHECKED BY [signature] APPROVED BY [signature] DRAWING NO. 790-905 - 79"					
XX = ±.030							
XXX = ±.015							
ANGLE = ± 2°							
FRACTION = ± 1/32							
REMOVE ALL BURRS BREAK SHARP EDGES .010 MAX							