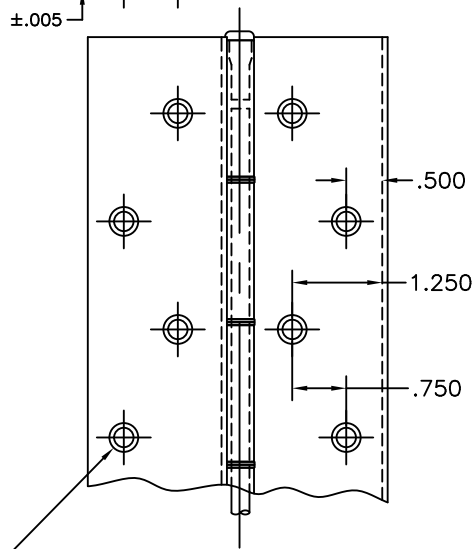
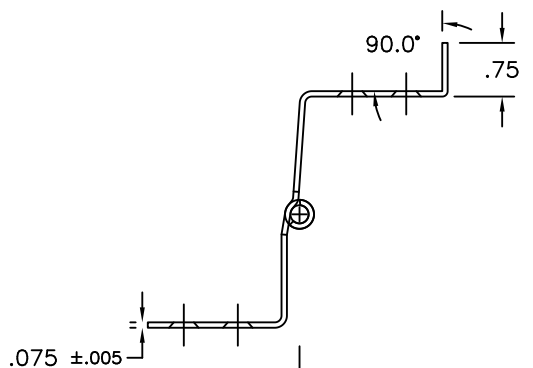


APPLICATION

SCALE: 3/4



PIERCE & COUNTERSINK FOR #10 FLAT HEAD SCREW, - SCREW HEAD FLUSH ± .010

HOLE PATTERN DETAIL

SCALE: 3/8

NOTES:

- MATERIAL: .075 STAINLESS STEEL #304-2B FINISH
- ALL DIMENSIONS ARE IN INCHES
- DRAWINGS ARE NOT TO SCALE
- KNUCKLE PATTERN MAY VARY

TOLERANCE	DET	QTY	SH	STOCK SIZE	MAT'L	REMARKS
X = ± .000 .XX = ± .030 .XXX = ± .015 ANGLE = ± ° FRACTION = ± 1/32						
REMOVE ALL BLURS BREAK SHARP EDGES .010 MAX						
Bill of Material						
REVISIONS						
<5: GE/CA DSB 49G						
HANGER - MODEL 790-911 - 119"						
CONTINUOUS STAINLESS STEEL HINGE						
DATE: 04.14.14 BY: SEW MARK: AS NOTED						
DRAWING NO. 790-911 - 119"						